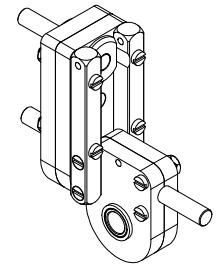
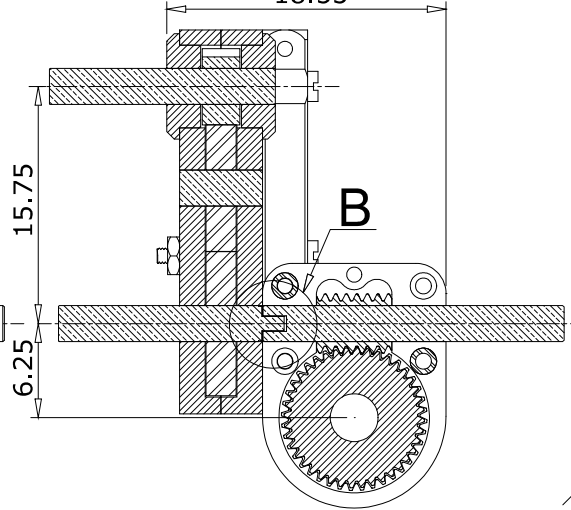
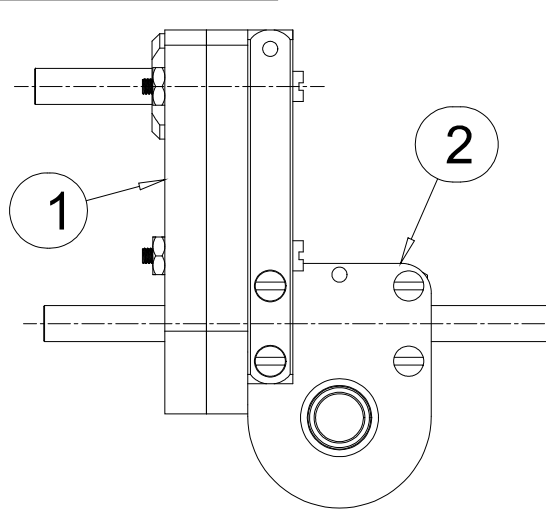
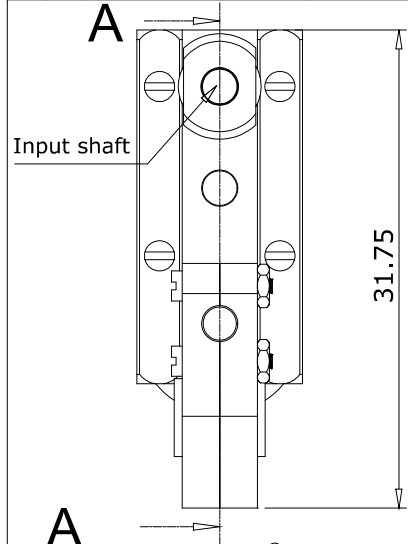


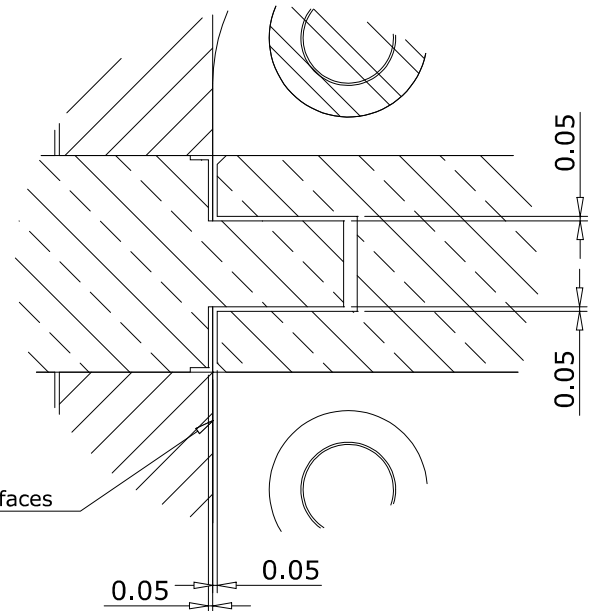
		Parts List	
Item	Qty	Name	Description
1	1	4GB 112A	Transfer gearbox, two stage, 2:1
2	1	4GB 126A	40:1 Worm drive gearbox 1/8in output dia

Input to output ratio = 80:1

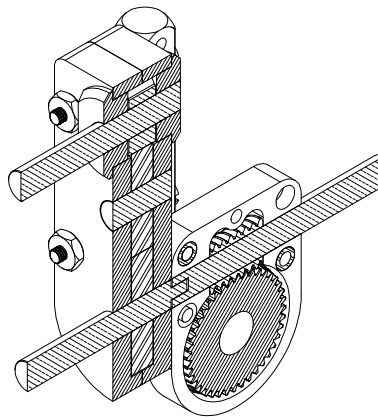


Actual size

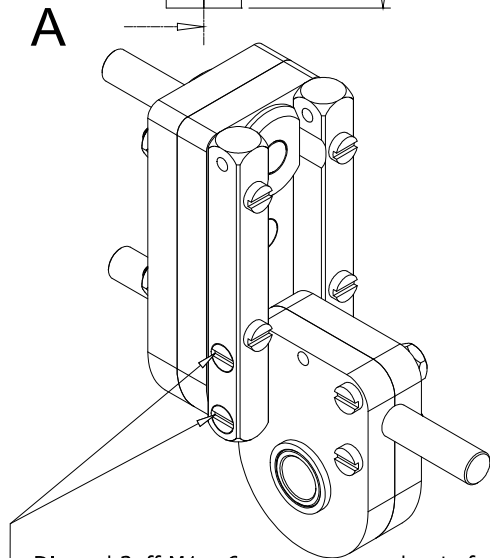
Detail B x 12



Section A-A



Note: Adapter sleeves provided with worm drives can be used as input shafts with 2mm 1.5mm or 1mm shaft diameters (see INS 101)



Discard 2off M1 x 6mm screws and nuts from worm drive gearbox. Replace with M1 x 10 screws from transfer box 4GB 112A

Exactoscale Limited

20 Waterson Vale, Moulsham Lodge,
Chelmsford, Essex CM2 9PB
01245 263779

Including **The P4Track Company**

Part No	INS 1226
Part Name	Coupling a transfer box to a worm drive (4GB 112A to 4GB 126A)
Material	
Date Drawn	
Scale	2:1

Remove all sharp edges

All dimensions in MM unless otherwise stated

www.exactoscale.co.uk

Company Reg. No. 05275090 Directors: L.C.Newman & A.J.Jukes VAT Reg. No. GB 848 6751 76
Registered in England and Wales. Registered Office: Suffolk House, George Street, Croydon CR0 0NY

Instruction number

INS 1226

www.p4track.co.uk