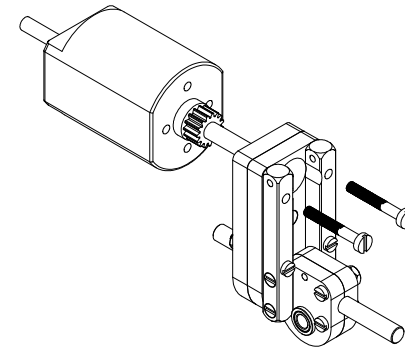
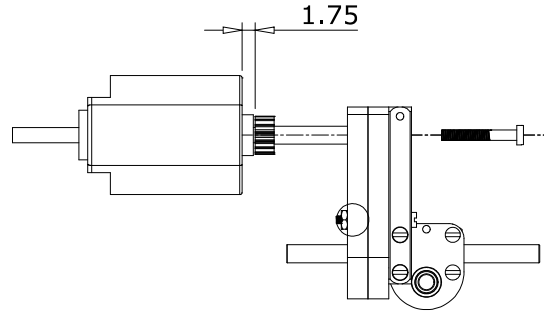
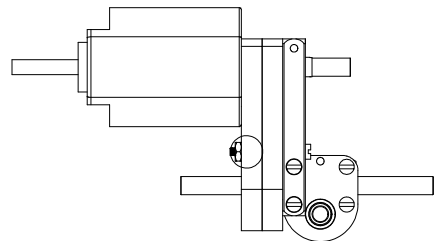
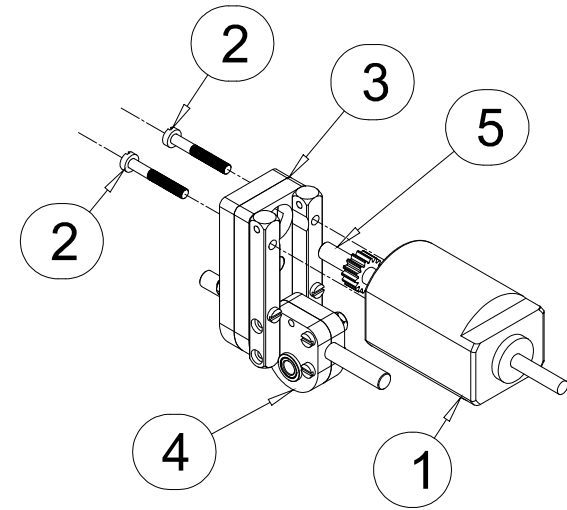
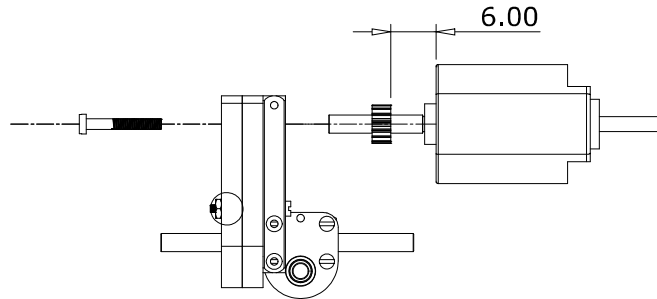
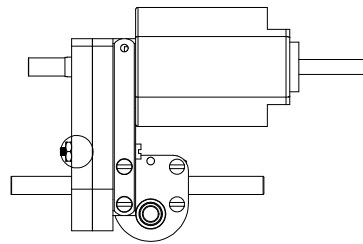


Item	Name	Qty	Description
1	MH-1620	2	
2	4GB 605	4	
3	4GB 112A	1	
4	4GB 114A	1	
5	4GB 504	2	



Exactoscale Limited

20 Waterson Vale, Moulsham Lodge,
Chelmsford, Essex CM2 9PB
01245 263779

Including **The P4Track Company**

Part No INS 104

Part Name

Material

Date Drawn

Scale 1:1

Remove all sharp edges

All dimensions in MM unless otherwise stated

www.exactoscale.co.uk

Company Reg. No. 05275090 Directors: L.C.Newman & A.J.Jukes VAT Reg. No. GB 848 6751 76
Registered in England and Wales. Registered Office: Suffolk House, George Street, Croydon CR0 0NY

Instruction number
INS 104

www.p4track.co.uk