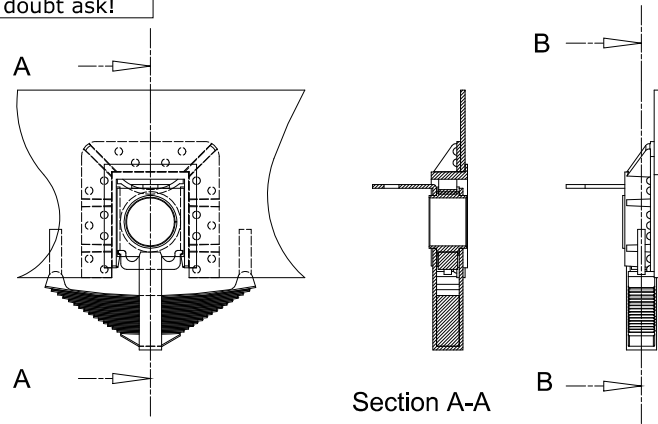
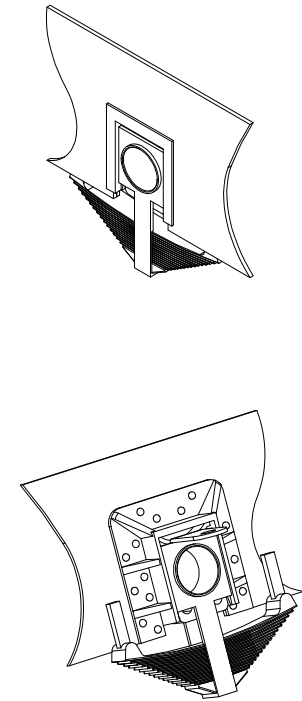
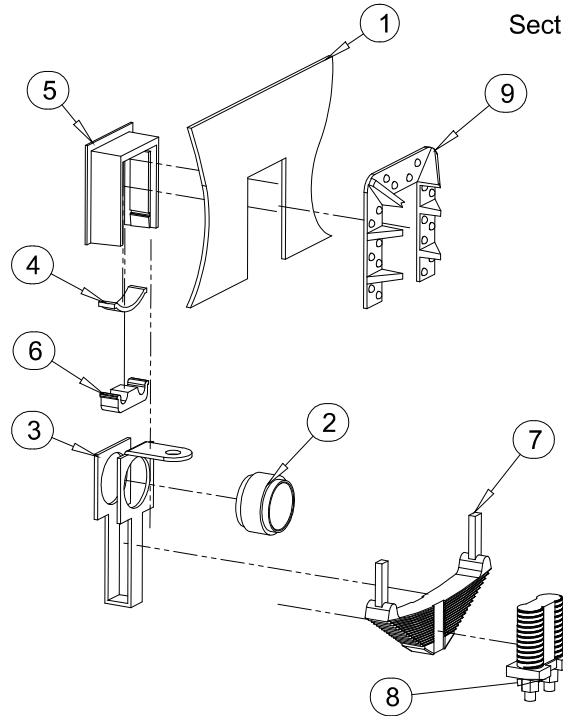
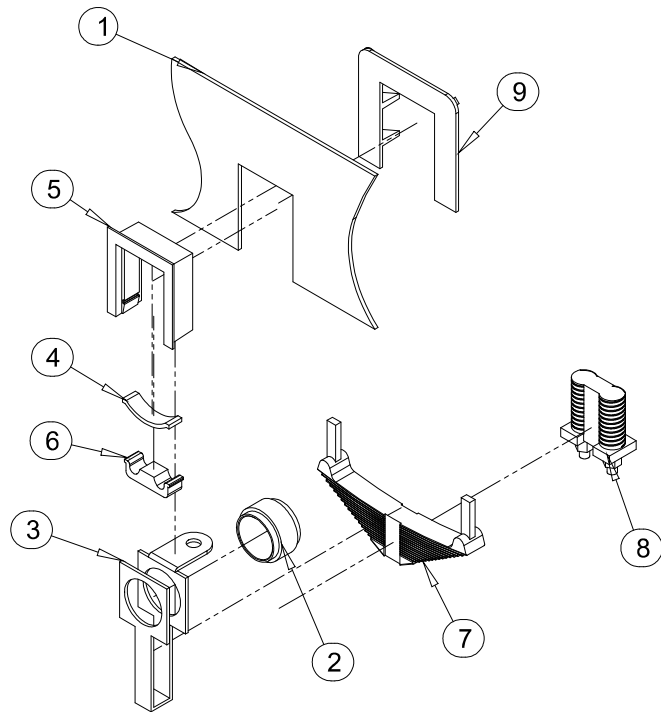


Do not scale print
If in doubt ask!



Section A-A

Section B-B



9	BACK_PLATE	1
8	COIL_SPRING	1
7	LEAF_SPRING	1
6	KEEPER	1
5	GUIDE	1
4	MOULDED_SPRING	1
3	STANDARD_CRADLE	1
2	4BE_301_BEARING	1
1	MAIN_FRAME	1
Item	Name	Qty

Exactoscale Limited

20 Waterson Vale, Moulsham Lodge,
Chelmsford, Essex CM2 9PB
01245 263779

Including **The P4Track Company**

Part No 4LS 111A

Part Name

Material

Date Drawn

Scale 2:1

Remove all sharp edges

All dimensions in MM unless otherwise stated

www.exactoscale.co.uk

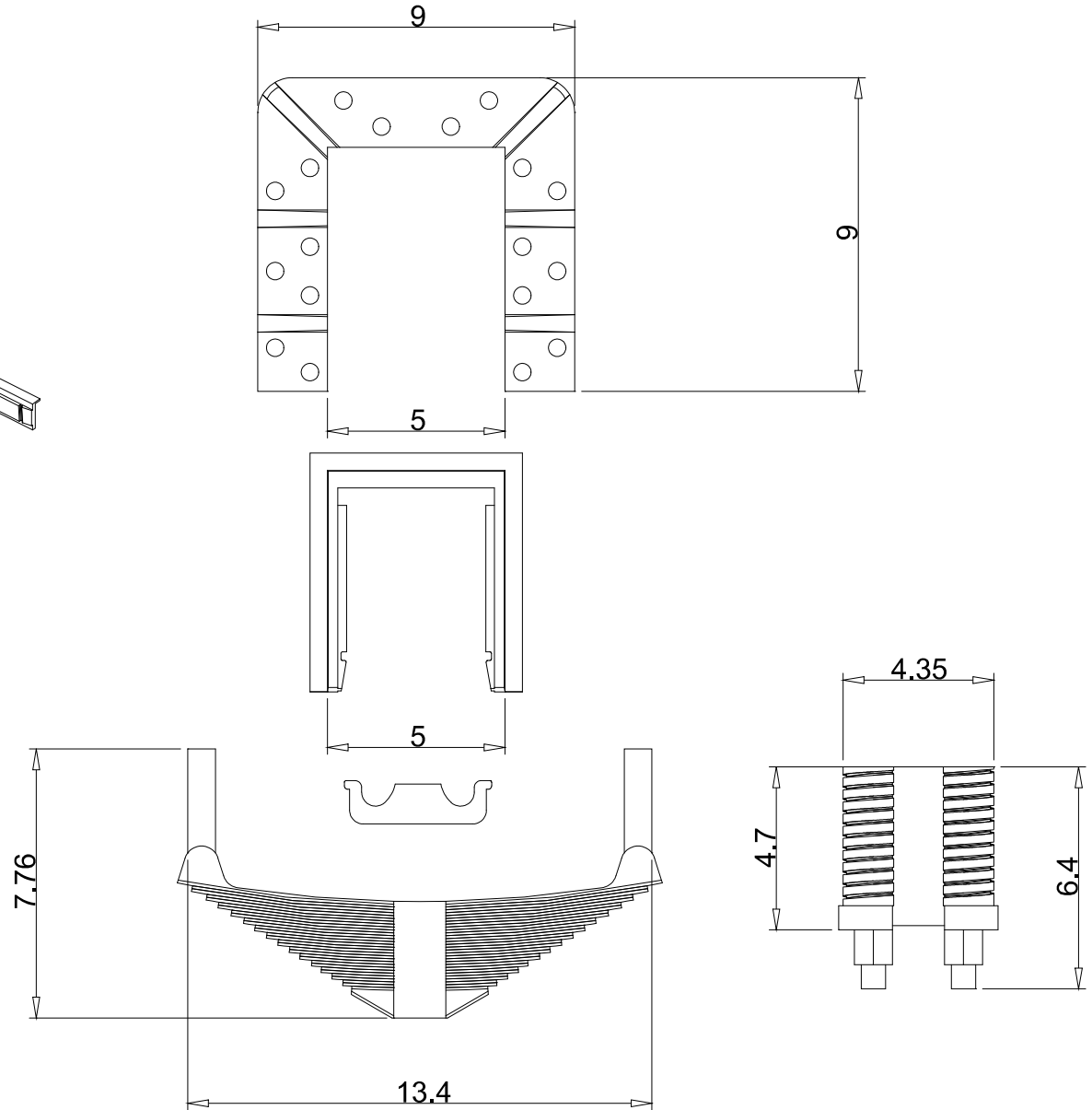
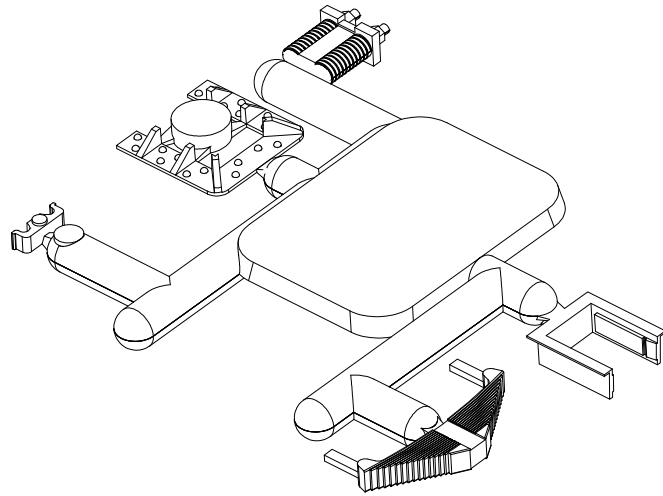
Company Reg. No. 05275090 Directors: L.C.Newman & A.J.Jukes VAT Reg. No. GB 848 6751 76
Registered in England and Wales. Registered Office: Suffolk House, George Street, Croydon CR0 0NY

Product number

4LS 111A

www.p4track.co.uk

Do not scale print
If in doubt ask!



Exactoscale Limited

20 Waterson Vale, Moulsham Lodge,
Chelmsford, Essex CM2 9PB
01245 263779

Including **The P4Track Company**

Part No	4LS 111
Part Name	Moulding Horn guide standard
Material	ABS Sycalac Black
Date Drawn	
Scale	2 and 5:1

Remove all sharp edges
All dimensions in MM unless otherwise stated

www.exactoscale.co.uk

Company Reg. No. 05275090 Directors: L.C.Newman & A.J.Jukes VAT Reg. No. GB 848 6751 76
Registered in England and Wales. Registered Office: Suffolk House, George Street, Croydon CR0 0NY

Product number
4LS 111

www.p4track.co.uk