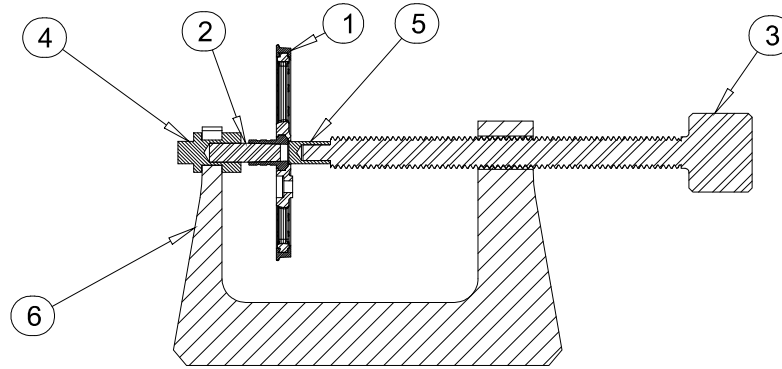
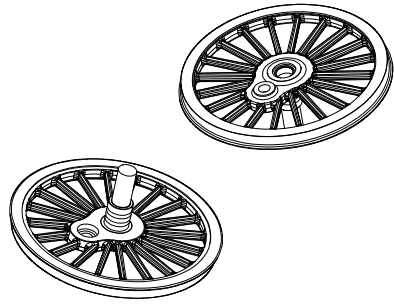
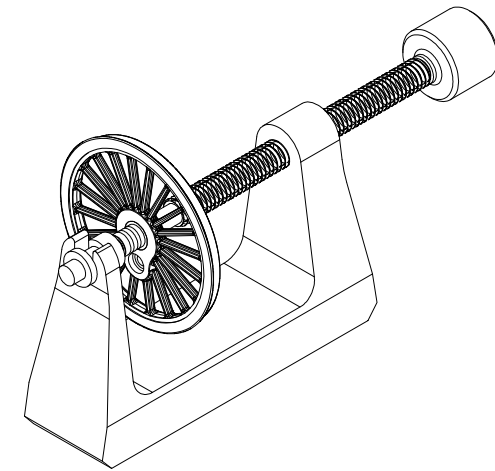
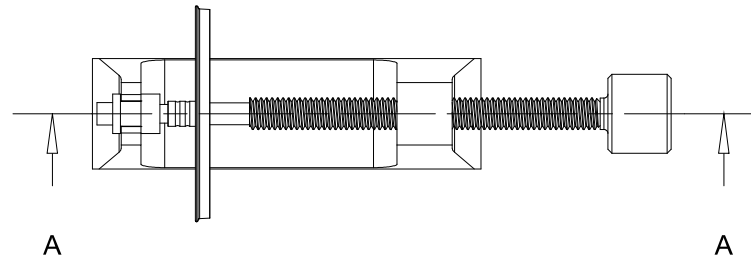
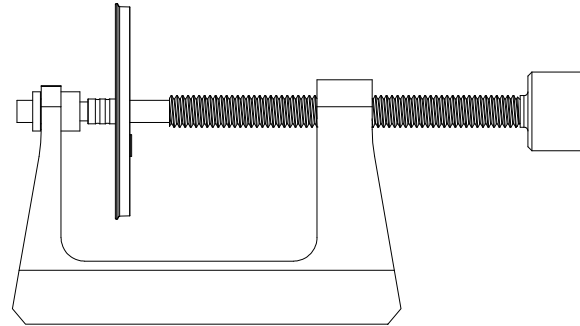
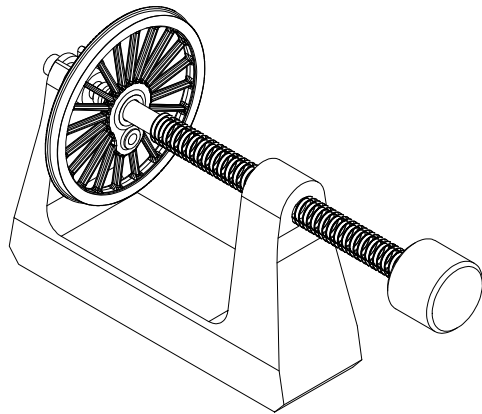


Do not scale print  
If In doubt ask!

6	4DW T01	1
5	4DW T04	1
4	4DW T03	1
3	4DW T02	1
2	4DW 104	1
1	4DW_P04 LNER 6FT 8IN 20 SPOKE MOULDING	1
Item	Name	Qty



Section A A



**Exactoscale Limited**

20 Waterson Vale, Moulsham Lodge,  
Chelmsford, Essex CM2 9PB  
01245 263779

Including **The P4Track Company**

Part No	INS T01/1
Part Name	Driving wheel assembly tool
Material	
Date Drawn	
Scale	1:1

Remove all sharp edges

All dimensions in MM unless otherwise stated

[www.exactoscale.co.uk](http://www.exactoscale.co.uk)

Company Reg. No. 05275090 Directors: L.C.Newman & A.J.Jukes VAT Reg. No. GB 848 6751 76  
Registered in England and Wales. Registered Office: Suffolk House, George Street, Croydon CR0 0NY

Instruction number

**INS T01/1**

[www.p4track.co.uk](http://www.p4track.co.uk)