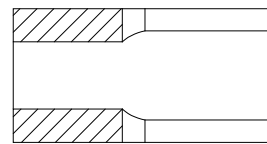
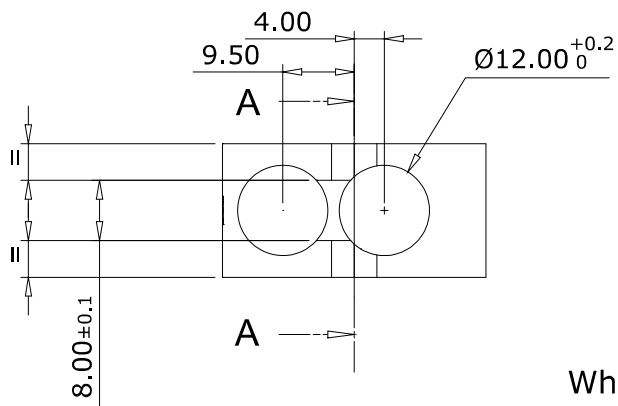
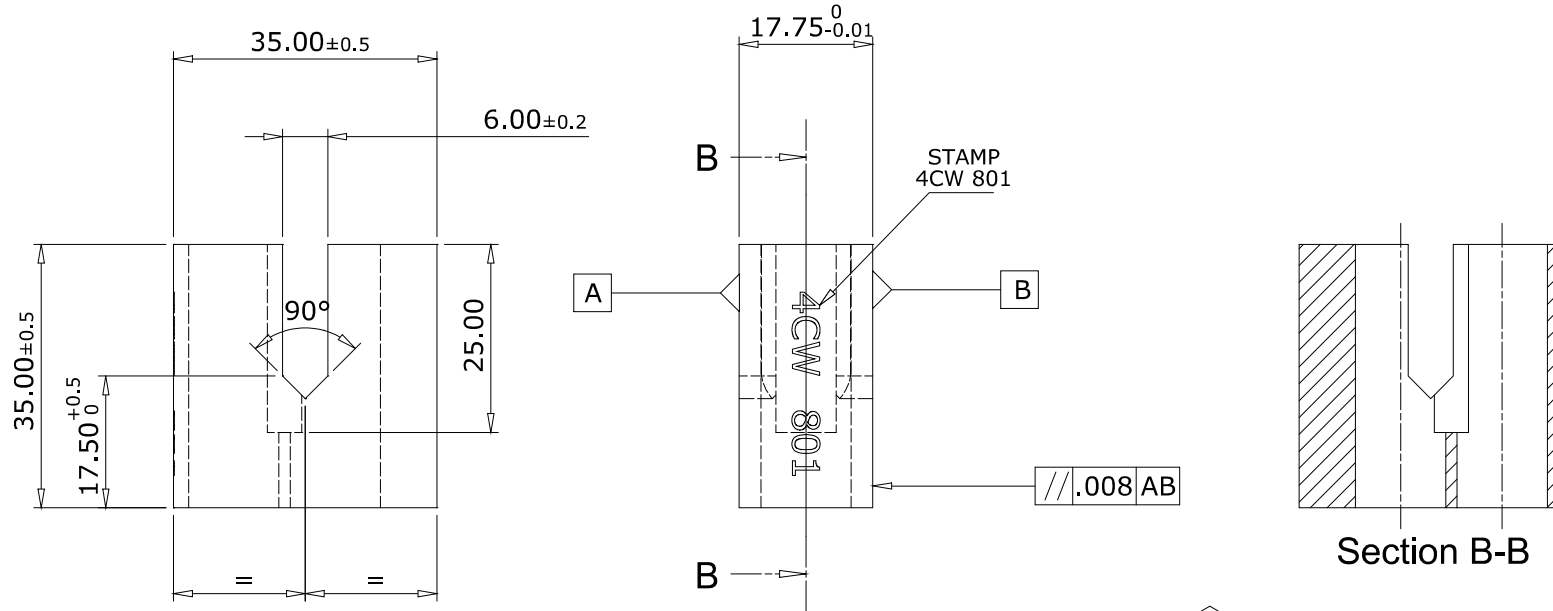
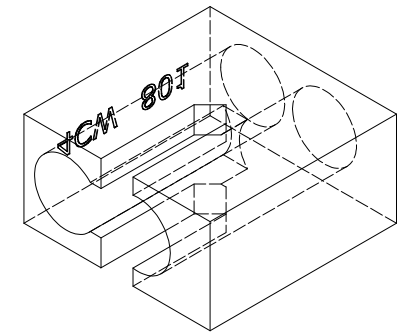
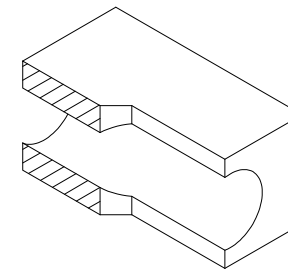


Do not scale print  
If in doubt ask!



Section A-A



When slots and holes have been machined and all sharp edges removed,  
It will be necessary to stress relieve before grinding gauge faces. A B

**Exactoscale Limited**

20 Waterson Vale, Moulsham Lodge,  
Chelmsford, Essex CM2 9PB  
01245 263779

Including **The P4Track Company**

Part No	4CW 801
Part Name	P4 Back to Back gauge 17.75mm
Material	EN1A
Date Drawn	
Scale	1:1

Remove all sharp edges  
All dimensions in MM unless otherwise stated

**www.exactoscale.co.uk**  
Company Reg. No. 05275090 Directors: L.C.Newman & A.J.Jukes  
Registered in England and Wales. Registered Office: Suffolk House, George Street, Croydon CR0 0NY

Componet number  
**4CW 801**

**www.p4track.co.uk**

VAT Reg. No. GB 848 6751 76