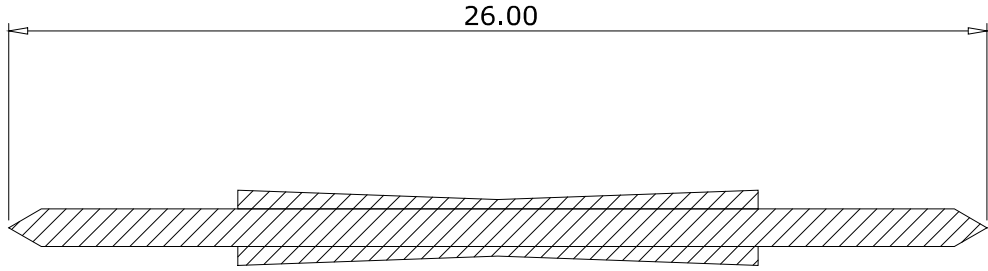
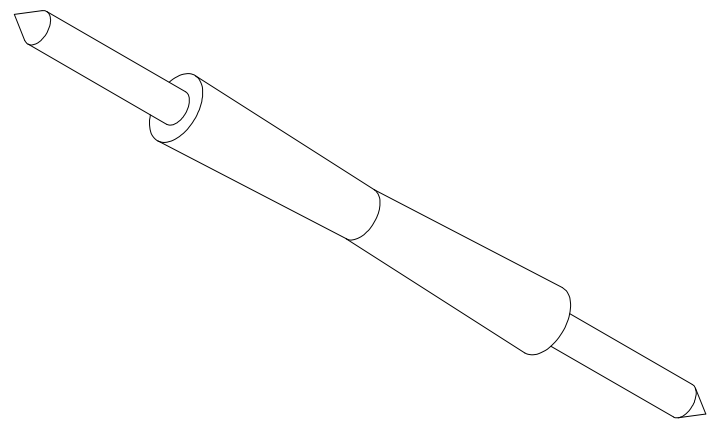
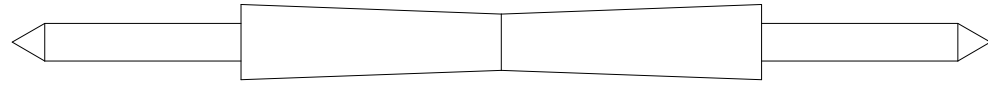
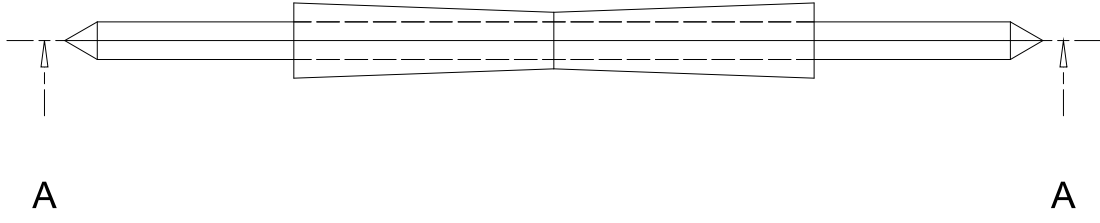


Do not scale print  
If in doubt ask!

Parts List		
Item	Name	Qty
1	4CW M21	1
2	4CW A02	1



Section A-A



**Exactoscale Limited**  
20 Waterson Vale, Moulsham Lodge,  
Chelmsford, Essex CM2 9PB  
01245 263779  
Including **The P4Track Company**

Part No	4CW 502
Part Name	Over moulding for 4CW 502A
Material	ABS
Date Drawn	
Scale	5:1

Remove all sharp edges  
All dimensions in MM unless otherwise stated

Component number  
**4CW 502**

[www.exactoscale.co.uk](http://www.exactoscale.co.uk) [www.p4track.co.uk](http://www.p4track.co.uk)  
Company Reg. No. 05275090 Directors: L.C.Newman & A.J.Jukes VAT Reg. No. GB 848 6751 76  
Registered in England and Wales. Registered Office: Suffolk House, George Street, Croydon CR0 0NY