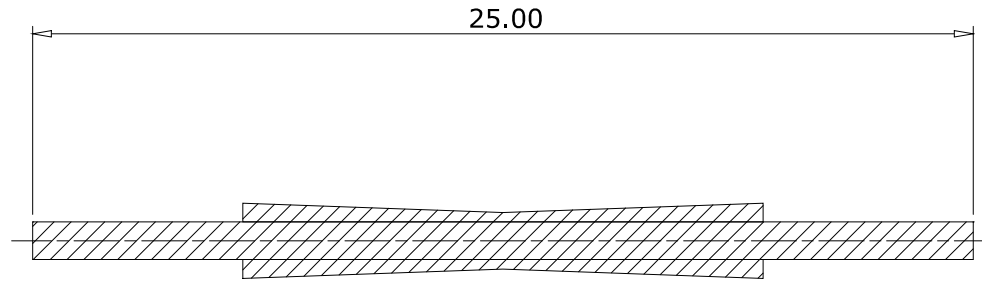
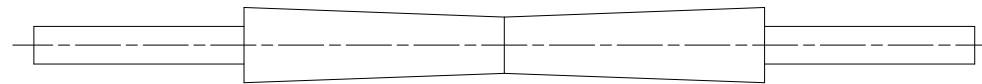
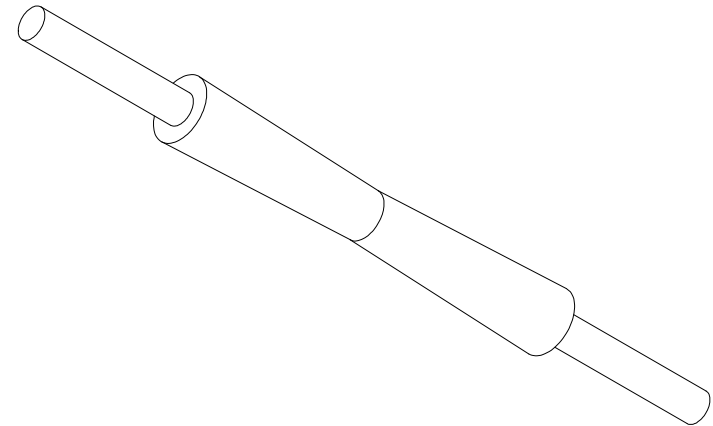
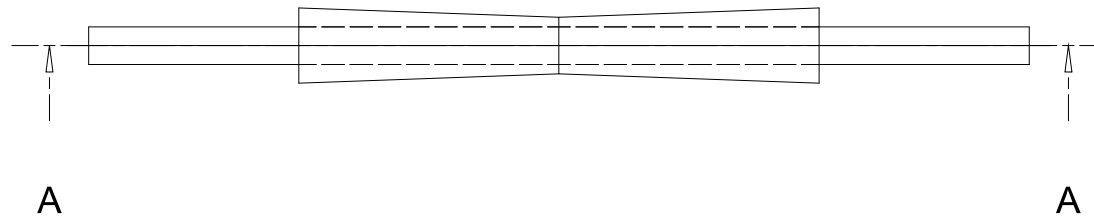


Do not scale print
If in doubt ask!

Parts List		
Item	Name	Qty
1	4CW M21	1
2	4CW A01	1



Section A-A



Exactoscale Limited

20 Waterson Vale, Moulsham Lodge,
Chelmsford, Essex CM2 9PB
01245 263779

Including **The P4Track Company**

Part No	4CW 501
Part Name	Over moulding for 4CW 501A
Material	ABS
Date Drawn	
Scale	5:1

Remove all sharp edges

All dimensions in MM unless otherwise stated

www.exactoscale.co.uk

Company Reg. No. 05275090 Directors: L.C.Newman & A.J.Jukes
Registered in England and Wales. Registered Office: Suffolk House, George Street, Croydon CR0 0NY

Componet number
4CW 501

www.p4track.co.uk

VAT Reg. No. GB 848 6751 76