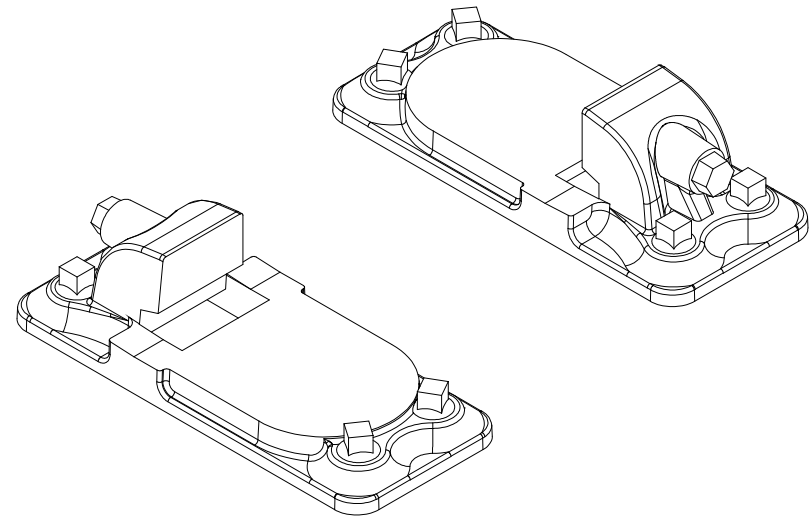
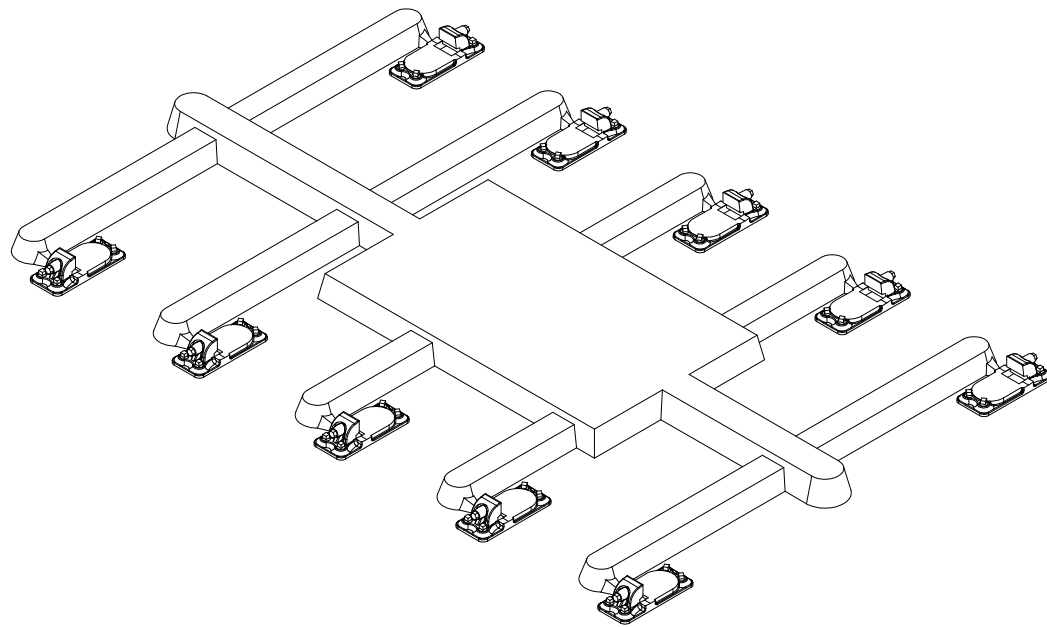


Do not scale print  
If in doubt ask!



# Exactoscale Limited

20 Waterson Vale, Moulsham Lodge,  
Chelmsford, Essex CM2 9PB  
01245 263779

Including **The P4Track Company**

Part No	4CH 301
Part Name	Moulding P chair 10 imp
Material	ABS Sycalac light brown
Date Drawn	
Scale	2:1 and 10:1

Remove all sharp edges

All dimensions in MM unless otherwise stated

[www.exactoscale.co.uk](http://www.exactoscale.co.uk)

Company Reg. No. 05275090 Directors: L.C.Newman & A.J.Jukes  
Registered in England and Wales. Registered Office: Suffolk House, George Street, Croydon CR0 0NY

Product number

# 4CH 301

[www.p4track.co.uk](http://www.p4track.co.uk)

VAT Reg. No. GB 848 6751 76